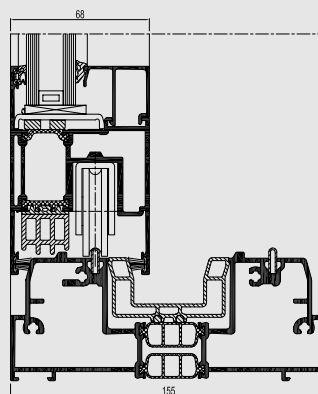
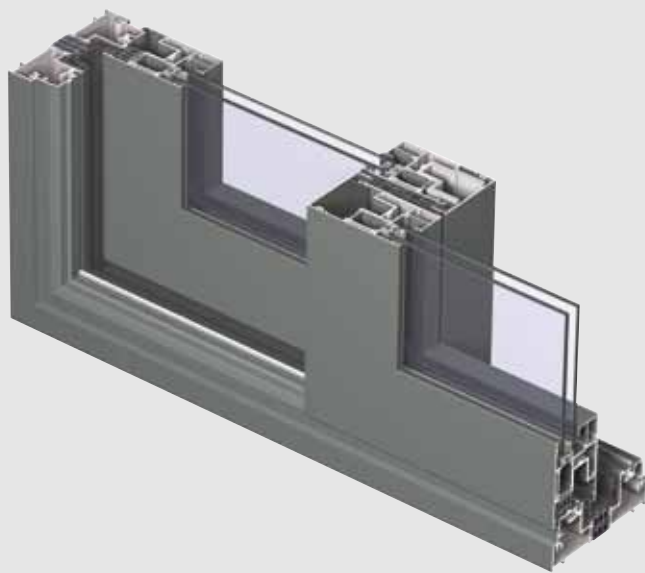




CP 155

Sophistication for quality and insulation



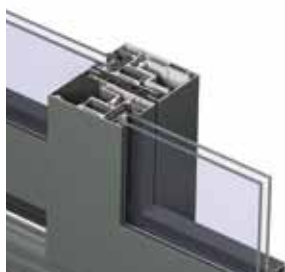
CP 155 is a thermally insulated sliding system with a vent weight up to 400 kg and height up to 3 metres. The sophisticated concept fulfils the user's high expectations of optimum quality, high insulation and ease of operation. The new and improved CP 155 can be upgraded with High Insulation that can be applied to all CP 155 variants to achieve even better insulation values.

The system is available with a low threshold that creates a perfect continuity between the indoor and outdoor spaces and improves the accessibility to the building. CP 155 is provided with an aesthetical middle section and can be applied for large spans. Automatic opening solutions for maximal comfort are also available.



TECHNICAL CHARACTERISTICS

| Style variants | | CP 155 MONORAIL / 2-RAIL / 3-RAIL LS MONORAIL / LS 2-RAIL / LS 3-RAIL |
|-------------------------|-----------------|---|
| Visible width / height | Frame | 60 mm |
| | Vent | 102 mm |
| | T-profile | 76-89-102-115-154 mm |
| | Meeting section | 115 mm |
| | Threshold | 60 mm / 20 mm |
| Meeting section 4 doors | | 194 mm |
| Overall system depth | Frame | 155 mm / 242 (3-rail / LS 3-rail) |
| | Vent | 68 mm |
| Rebate height | | 25 mm |
| Glass thickness | | from 4 to 52 mm |
| Glazing method | | dry glazing with EPDM or neutral silicones |
| Thermal insulation | | 23 mm and 32 mm fibreglass reinforced polyamide strips with 3 chambers |
| HI variant | | extra insulating gaskets |



Slim Line middle section



low threshold



HI-variant



PERFORMANCES

| | ENERGY | | | | | | | | | | |
|--|--|---------------|----------------|----------------|----------------|----------------|----------------|----------------|----------------|------------------|--------------------|
| Thermal Insulation ⁽¹⁾ EN ISO 10077-2 | Uf-value up to 2.2 W/m ² K (*), depending on the frame/vent combination. | | | | | | | | | | |
| | COMFORT | | | | | | | | | | |
| Acoustic performance ⁽²⁾ EN ISO 140-3; EN ISO 717-1 | Rw (C; Ctr) = 35 (-2;-5) dB / 42 (-1;-3) dB, depending on glazing type | | | | | | | | | | |
| Air tightness, max. test pressure ⁽³⁾ EN 12207 | 1 (150 Pa) | | 2 (300 Pa) | | | 3 (600 Pa) | | | 4 (600 Pa) | | |
| Water tightness ⁽⁴⁾ EN 12208 | 1A (0 Pa) | 2A (50 Pa) | 3A (100 Pa) | 4A (150 Pa) | 5A (200 Pa) | 6A (250 Pa) | 7A (300 Pa) | 8A (450 Pa) | 9A (600 Pa) | E900 (900 Pa) | |
| Wind load resistance, max. test pressure ⁽⁵⁾ EN 12211; EN 12210 | 1 (400 Pa) | | 2 (800 Pa) | | 3 (1200 Pa) | | 4 (1600 Pa) | | 5 (2000 Pa) | | Exxx (>2000 Pa) |
| | Wind load resistance to frame deflection ⁽⁵⁾ EN 12211; EN 12210 | | | A (≤1/150) | | | B (≤1/200) | | | C (≤1/300) | |
| | SAFETY | | | | | | | | | | |
| Burglar resistance ⁽⁶⁾ ENV 1627 - ENV 1630 | WK 1 | | | WK 2 | | | | WK 3 | | | |

This table shows possible classes and values of performances. The values indicated in red are the ones relevant to this system.

- (1) The Uf-value measures the heat flow. The lower the Uf-value, the better the thermal insulation of the frame.
- (2) The sound reduction index (Rw) measures the capacity of the sound reduction performance of the frame.
- (3) The air tightness test measures the volume of air that would pass through a closed window at a certain air pressure.
- (4) The water tightness testing involves applying a uniform water spray at increasing air pressure until water penetrates the window.
- (5) The wind load resistance is a measure of the profile's structural strength and is tested by applying increasing levels of air pressure to simulate the wind force. There are up to five levels of wind resistance (1 to 5) and three deflection classes (A,B,C). The higher the number, the better the performance.
- (6) The burglar resistance is tested by static and dynamic loads, as well as by simulated attempts to break in using specified tools.

(*) Value with HI-upgrade